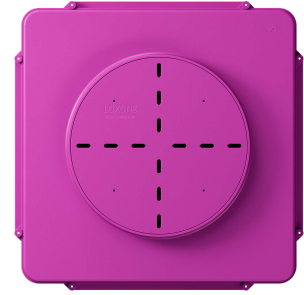


## Datasheet

### Concrete Backbox for 7" Install Speaker

Part No: 610161



### About the product

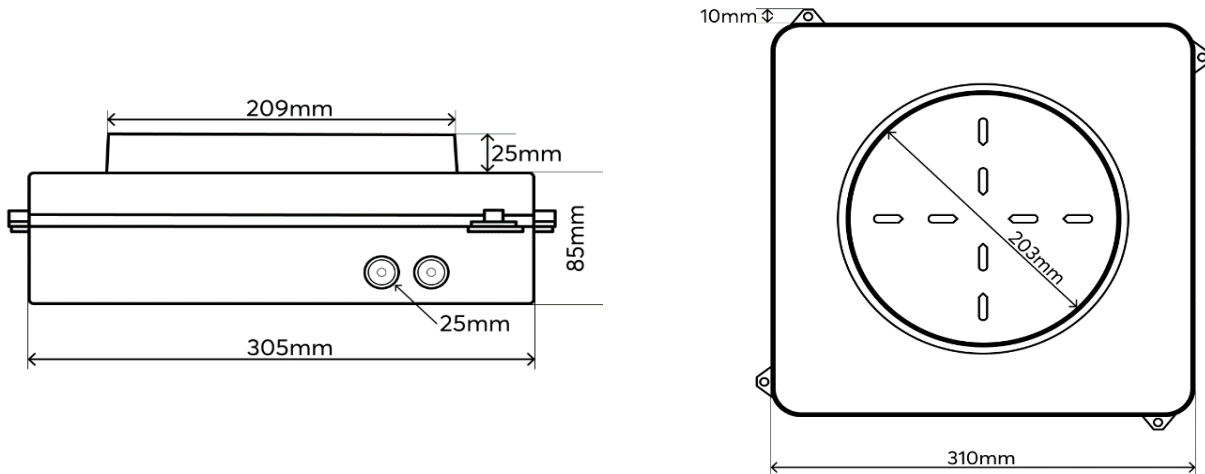
The Concrete Backbox is perfect for installation of the Install Speaker 7 in concrete ceilings.

### Product Characteristics

Colours	Purple: RAL4006
Material	Polycarbonate, halogen-free
Damping material	Polyester fleece (glued in)

### Weight & Dimensions

Net weight	1.1kg
Total weight	1.7kg
Volume	8l
Conduit entries	4x M25
Outlet	203mm / 8" (Ø)
Installation depth	100mm / 3.94"
Product dimensions	330x330x110mm / 12.99x12.99x4.33" (LxWxH)



Pack size	350x350x125mm / 13.78x13.78x4.92" (LxWxH)
-----------	---

### Published by

#### Loxone Electronics GmbH

Smart Home 1  
4154 Kollerschlag  
Austria  
Tel: +43 7287 7070-0  
loxone.com

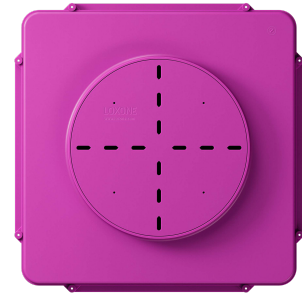
#### Loxone UK

The Forum  
Station Road  
Theale, RG7 4RA  
United Kingdom

## Datenblatt

### Betoneinbaugehäuse für 7" Install Speaker

Art. Nr. 610161



#### Information zum Produkt

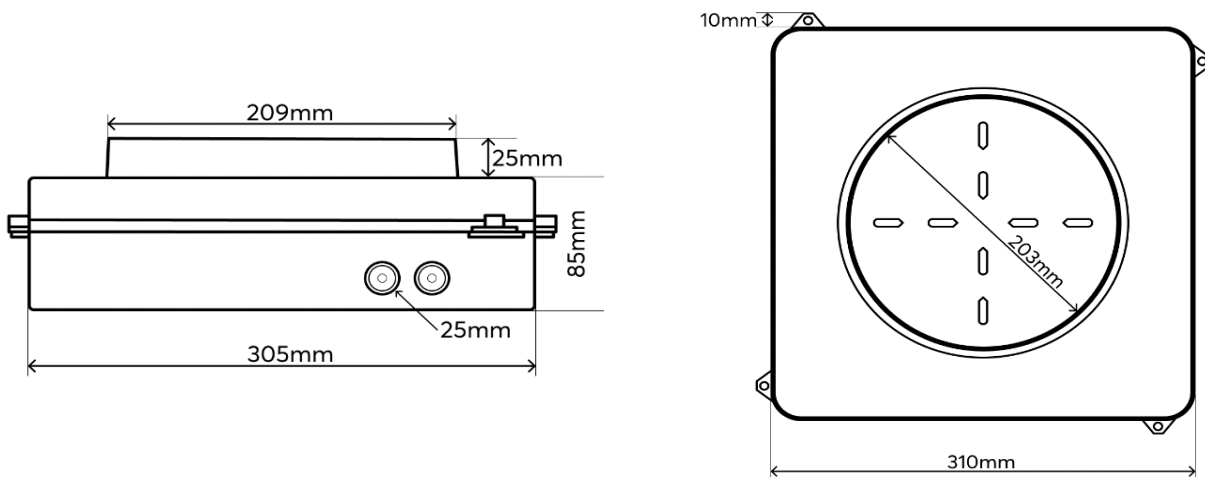
Das Betoneinbaugehäuse eignet sich perfekt für die Installation des Install Speaker 7 in Betondecken.

#### Produkteigenschaften

Farbe	Lila: RAL4006
Material	Polycarbonat, halogenfrei
Dämpfungsmaterial	Polyestervlies (eingeklebt)

#### Gewicht & Abmessungen

Nettogewicht	1,1kg
Bruttogewicht	1,7kg
Volumen	8l
Rohreinführungen	4x M25
Auslass	203mm / 8" (Ø)
Einbautiefe	100mm / 3,94"
Produktmaße	330x330x110mm / 12,99x12,99x4,33" (LxBxH)



Packmaß	350x350x125mm / 13,78x13,78x4,92" (LxBxH)
---------	---

**Published by**  
**Loxone Electronics GmbH**  
 Smart Home 1  
 4154 Kollerschlag  
 Austria  
 Tel: +43 7287 7070-0  
 loxone.com

**Loxone UK**  
 The Forum  
 Station Road  
 Theale, RG7 4RA  
 United Kingdom