



## Datasheet

### Loxone Power Supply Panel 14.5"x10"x6"

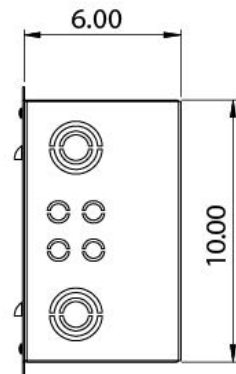
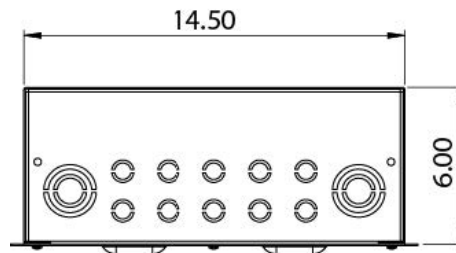
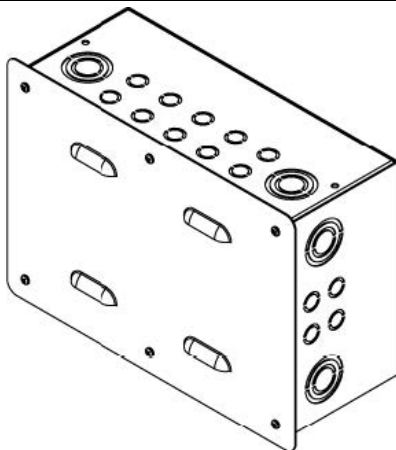
Part No: 500054

#### About the product

The Loxone Power Supply Panel is designed to fit 10A power supplies and extensions. It includes a removable cover, DIN rail space advertising space for your company logo. It is designed specifically to conform with US and Canadian Certification Standards and proudly manufactured with US steel.

#### Weight & Dimensions

Net weight	14 lbs
Product dimensions	14.5x10x6"
DIN rail space	12", up to 50A



#### Certifications & Standards

Certifications



Published by  
**Loxone Electronics GmbH**  
Smart Home 1  
4154 Kollerschlag  
Austria  
Tel: +43 7287 7070-0  
loxone.com

**Loxone UK**  
The Forum  
Station Road  
Theale, RG7 4RA  
United Kingdom