

Technical Specifications

Power Supply	via Nano Relay Air
Safety Rating	IP30
Capacitive Touch	5 Touch Points, capacitive touch detection
Ambient Temperature	-20 ... 70°C / -4 ... 158°F
Humidity	max. 95% r.H. (non condensing)
Dimensions	Touch for Nano: 104x44,5x18,9mm / 4.09x1.75x0.74" (LxWxH) Touch for Nano with Nano Relay Air: 104x45x44mm / 4.09x1.77x1.73" (LxWxH)
Maintenance & Cleaning	This device is free of maintenance and may only be cleaned with a dry cloth.

LOXONE

**Loxone
Electronics GmbH**
Smart Home 1
4154 Kollerschlag
Austria



For additional information,
declaration of conformity, visit
www.loxone.com/datasheets

V171024



Need Help?
loxone.com/support



LOXONE



Touch for Nano

Part No.: 100427 (White)
Part No.: 100605 (Anthracite)

About the product

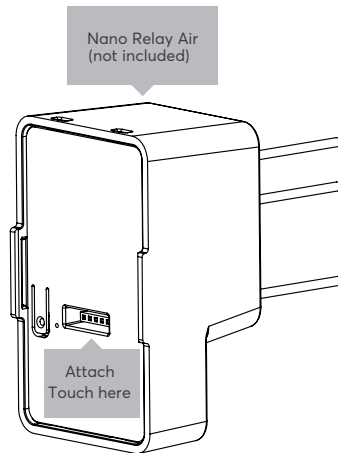
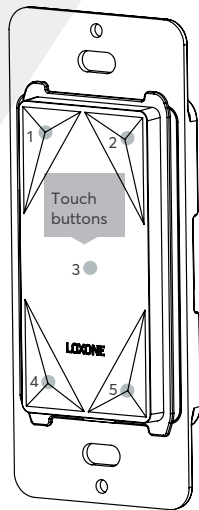
The Loxone Touch has five touch zones, which can be configured according to your needs. The large central touch zone is ideal for controlling lighting, whilst the corner zones are handy for controlling music and blinds, for example.

Features

- 5 touch buttons
- Optional click feedback

Installation

Attach the Touch on the Nano Relay Air. Install the device on the desired installation place and configure it in Loxone Config.



This folder is a part of the product!



For additional information,
visit www.loxone.com/help/touch-nano-us