

## Technical Specifications

<b>Power supply</b>	12 ... 28VDC
<b>Power consumption</b>	typ. 66mW, max. 163mW
<b>Output</b>	4 PWM outputs (max. 2.1A per channel) 100W at 12V 200W at 24V  max. wire length to LED: 30m / 98ft
<b>Power loss at max. load</b>	3W
<b>PWM frequency</b>	123Hz
<b>Interfaces</b>	Loxone Air: 868MHz (SRD Band Europe), 4 channels available max. Power 15.1mW e.r.p. 915MHz (ISM Band Region 2), 10 channels available max. Power 13.2mW
<b>Ambient temperature</b>	-40 ... 55°C / -40 ... 131°F
<b>Humidity</b>	max. 95% r. H. (non condensing)
<b>Safety rating</b>	IP20
<b>Dimensions</b>	136x36x22.6mm / 5.35x1.42x0.89" (LxWxH)
<b>Maintenance &amp; Cleaning</b>	This device is free of maintenance and may only be cleaned with a dry cloth.

# LOXONE

# LOXONE

## Need Help?

[loxone.com/support](https://loxone.com/support)



# RGBW 24V Compact Dimmer Air

Part No.: 100324

Loxone Electronics GmbH  
Smart Home 1  
4154 Kollerschlag  
Austria

[loxone.com](https://loxone.com)



V300720

## About the product

The RGBW 24V Compact Dimmer allows easy control of LED lighting. You can dim the light as well as change the color and create different moods of your room.

## Features

4x PWM output

## Installation & electrical connection

The installation of this device has to be carried out by a qualified person. The device has to be fitted in accordance with building regulations for electrical and fire safety. If the device is not installed according to manufacturer's guidelines the protection of the device may be affected.

When the device is powered up for the first time, the device immediately goes into Learning mode. Learning mode ends when the Air Device has been successfully connected to the Miniserver or the 10 minute initial Learn period ends.

## Information

Contains FCC ID: 2ARRV-000376

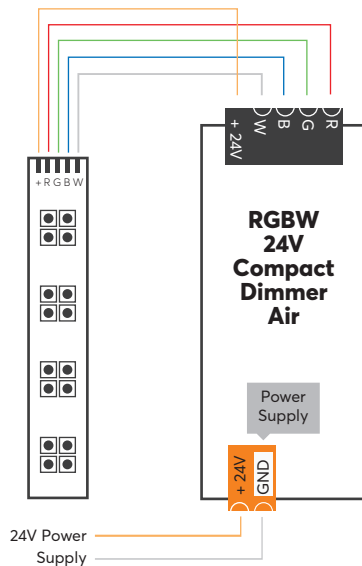
This device complies with part 15 of the FCC Rules.

Operation is subject to the following two conditions:

1. This device may not cause harmful interference
2. This device must accept any interference received, including interference that may cause undesired operation

## Connection

<b>Wire cross-section</b>	0.75 ... 2.5mm <sup>2</sup> / AWG18 ... 13
<b>Torque of terminal blocks</b>	0.35 ... 0.4Nm / 0.26 ... 0.3 lbf ft
<b>Stripping length</b>	5mm / 0.2"
<b>Temperature resistance</b>	min. 80°C / 176°F for IEC, min. 75°C / 167°F for UL



For additional information, declaration of conformity, visit [www.loxone.com/help/compact-dimmer](http://www.loxone.com/help/compact-dimmer)

This folder is a part of the product!  
DRY LOCATIONS ONLY • POUR EMPLACEMENTS SECS SEULEMENT •  
CLASS 2 INPUT ONLY • ENTRÉE DE CLASSE 2 UNIQUEMENT