

Technical Specifications

Power supply	via Nano IO Air / Dimmer Air
Ambient temperature	-20 ... 70°C / -4 ... 158°F
Humidity	max. 95% r.H. (non-condensing)
Touch points	5 touch points, capacitive touch detection
Click feedback	Yes
Safety rating	IP40
Dimensions	80x80x10mm / 3.15x3.15x0.4" (LxWxH)
Maintenance & Cleaning	This device is free of maintenance and may only be cleaned with a dry cloth.

LOXONE

LOXONE

Need Help?

loxone.com/support



Touch for Nano

Loxone Electronics GmbH
Smart Home 1
4154 Kollerschlag
Austria

loxone.com



V0460320

Part No.: 100154 (White)
Part No.: 100181 (Anthracite)

About the product

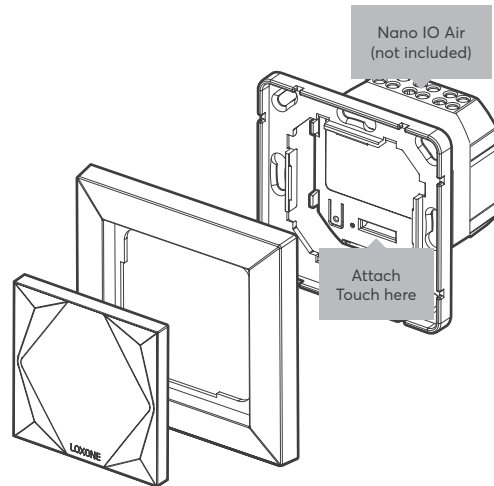
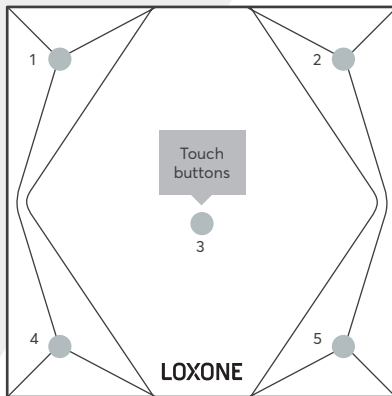
The Loxone Touch has five touch zones, which can be configured according to your needs. The large central touch zone is ideal for controlling lighting, whilst the corner zones are handy for controlling music and blinds, for example.

Features

- 5 touch buttons
- Optional click feedback

Installation

Install the mounting frame on the desired installation place. Attach the Touch on the Nano IO Air or Nano Dimmer Air and configure it in Loxone Config.



This folder is a part of the product!



For additional information, declaration of conformity, visit www.loxone.com/help/touch-nano